



# INSTALLATION INSTRUCTIONS

Accessory  
**ENGINE BLOCK HEATER**  
P/N 08T44-SNA-101

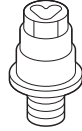
Application  
**2015 CR-V**

Publications No.  
**VERSION 1**

Issue Date  
**SEP 2014**

## PARTS LIST

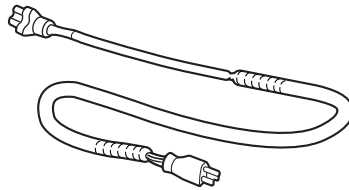
Engine block heater



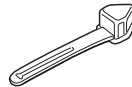
Aluminum washer



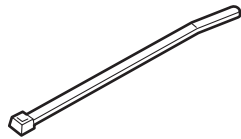
Heater harness



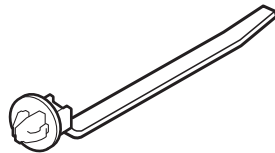
Protective cap



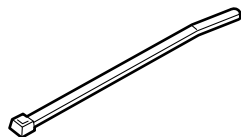
12 Black wire ties  
(6 not used)



7 Wire ties with clip  
(6 not used)



5 Wire ties (Natural)



## TOOLS AND SUPPLIES REQUIRED

Ratchet

10 mm, 19 mm, and 24 mm Sockets

10 mm Open end wrench

Torque wrench

Diagonal cutters

Heavy gloves

Drain pan

Tape measure

White marker

Coolant (Honda All Season Antifreeze/Coolant Type 2)

Fender cover

Phillips screwdriver

Tape

Blanket

Ruler

Eye protection (face shield, safety goggles, etc.)

Drill

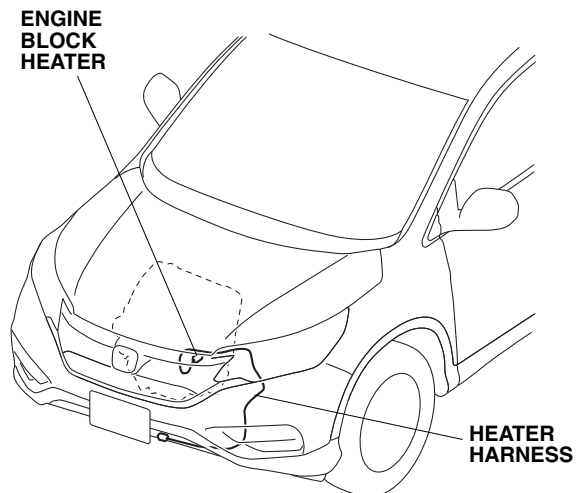
3 mm and 5 mm Drill bits

File

*The following tool is available through the Honda Tool and Equipment Program. On the iN, click on: Service > Service Bay > Tool and Equipment Program, then enter the number under "Search." Or, call 888-424-6857.*

- Trim Tool Set (T/N SOJATP2014)

## Illustration of the Engine Block Heater in the Vehicle



QD20601AY

## INSTALLATION

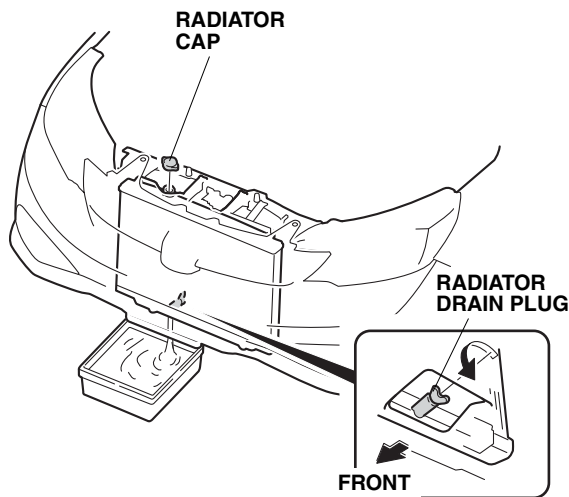
### NOTE:

- Always use, Honda All Season Antifreeze/Coolant Type 2. Using a non-Honda coolant can result in corrosion, causing the cooling system to malfunction or fail.
- To avoid burning out the element, do not operate the engine block heater until it is installed in the vehicle and you have added coolant.

**Customer Information:** The information in this installation instruction is intended for use only by skilled technicians who have the proper tools, equipment, and training to correctly and safely add equipment to your vehicle. These procedures should not be attempted by “do-it-yourselfers.”

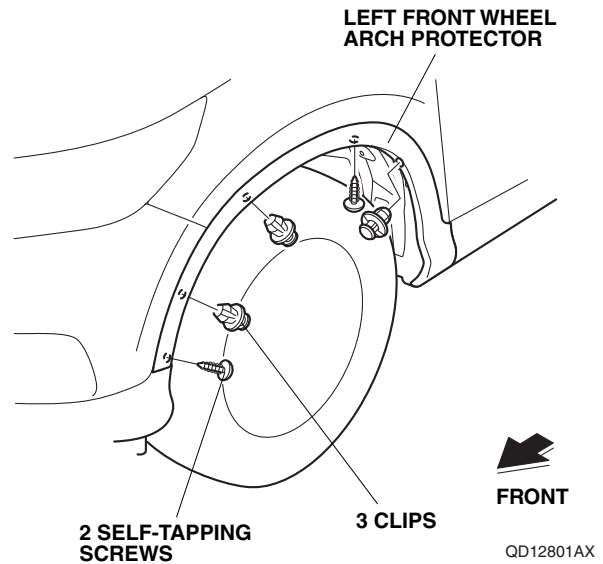
1. Disconnect the negative cable from the battery.
2. Allow the engine and all cooling system components to cool down.
3. Place a clean drain pan under the radiator drain plug, then remove the drain plug from the bottom of the radiator to drain the coolant. Remove the radiator cap to increase the flow.

**NOTICE:** Radiator coolant will damage the paint. Quickly rinse any spilled coolant from the paint finish.

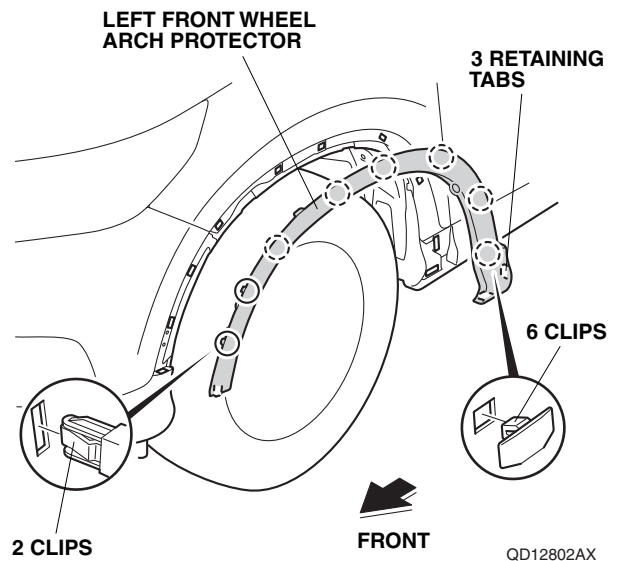


4. After the coolant drains, reinstall the radiator cap to prevent dirt and contamination from entering the radiator.

5. Remove the two self-tapping screws and the three clips from the left front wheel arch protector.

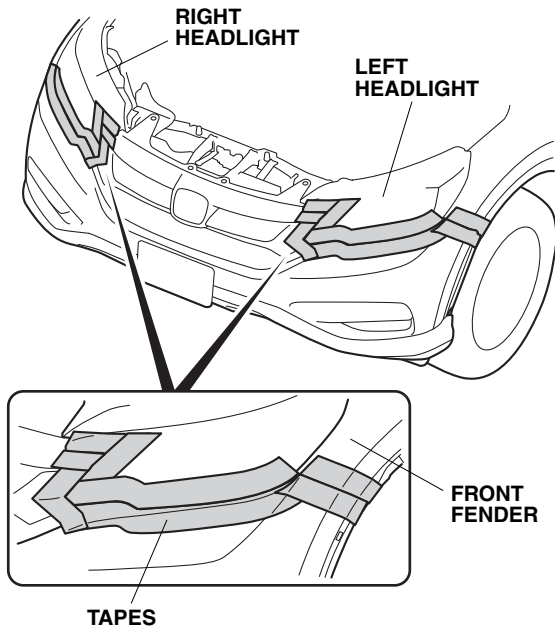


6. Remove the left front wheel arch protector.



7. Repeat steps 5 and 6 on the right side of the vehicle.

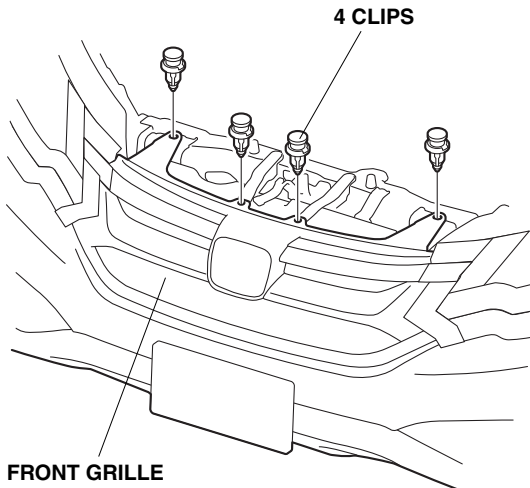
8. Attach the tapes to the front bumper, left headlight and left front fender as shown.



QD12803BX

9. Repeat the same procedure on the right side of the vehicle.

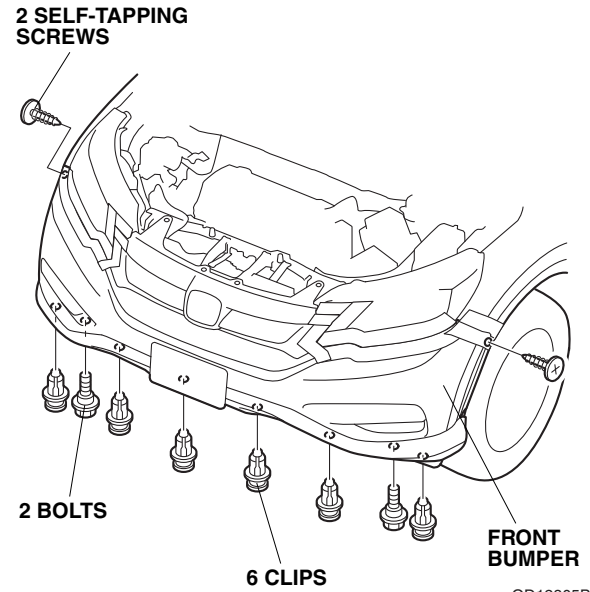
10. Remove the four clips from the front grille.



QD12804BX

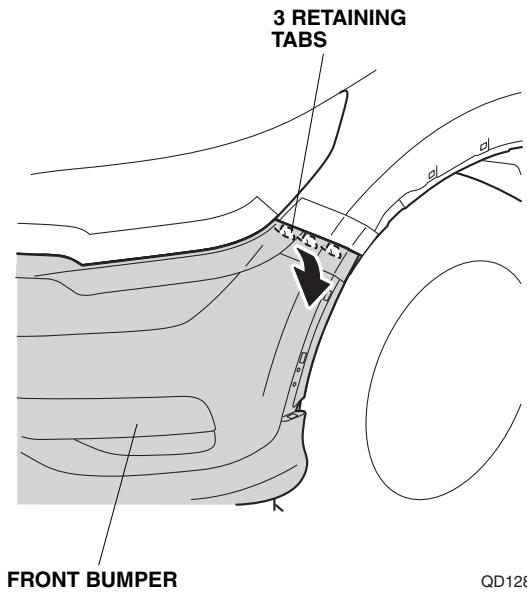
11. Remove the front bumper.

- Remove the two self-tapping screws, two bolts and six clips.



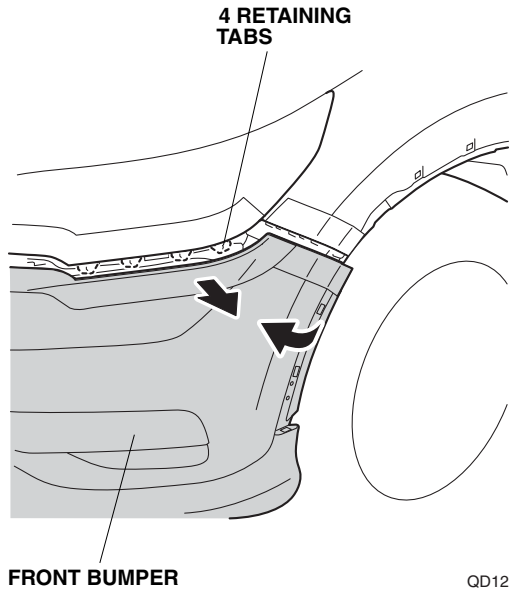
QD12805BX

- On each side, release the three retaining tabs.

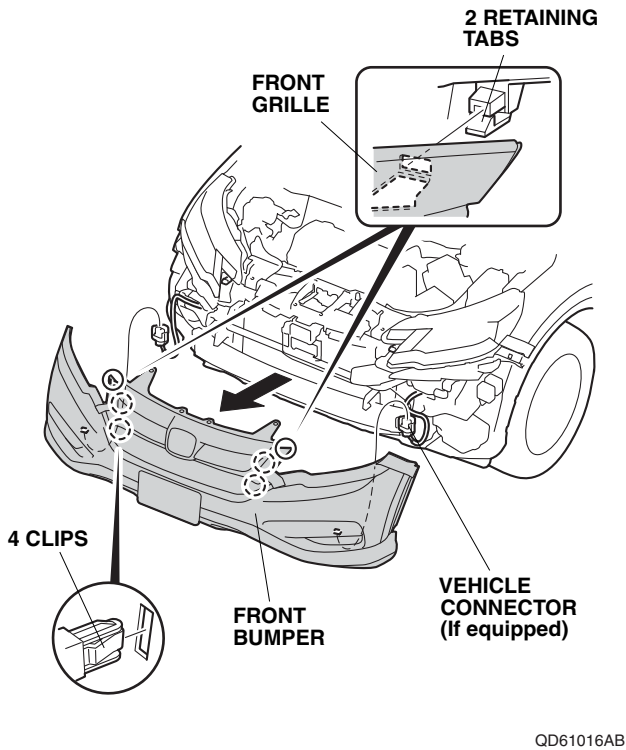


QD12806BX

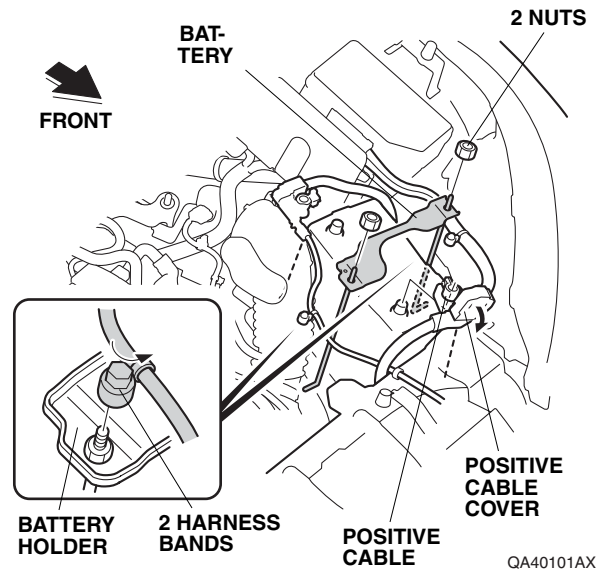
- On each side, release the four retaining tabs.



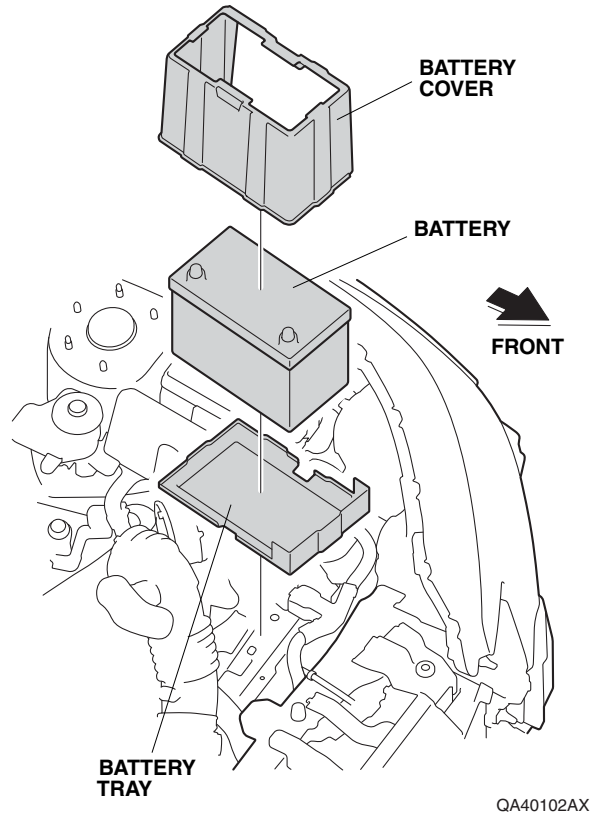
- Release the four clips and two retaining tabs.
- With the help of an assistant, remove the front bumper.
- Place the front bumper on a blanket after removal.



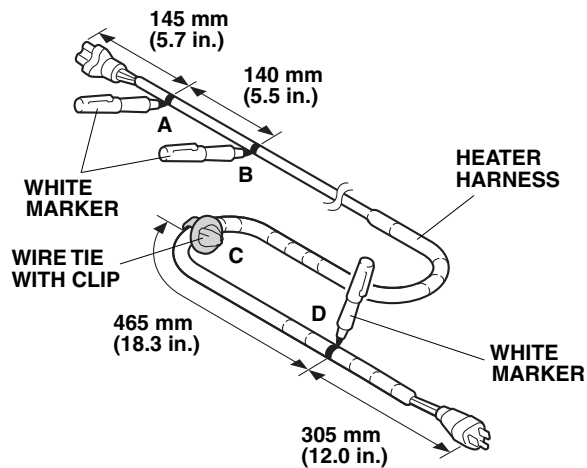
- Open the positive cable cover, and disconnect the positive cable from the battery.



- Remove the two harness bands.
- Remove the battery holder (two nuts).
- Remove the battery cover, battery, and battery tray.



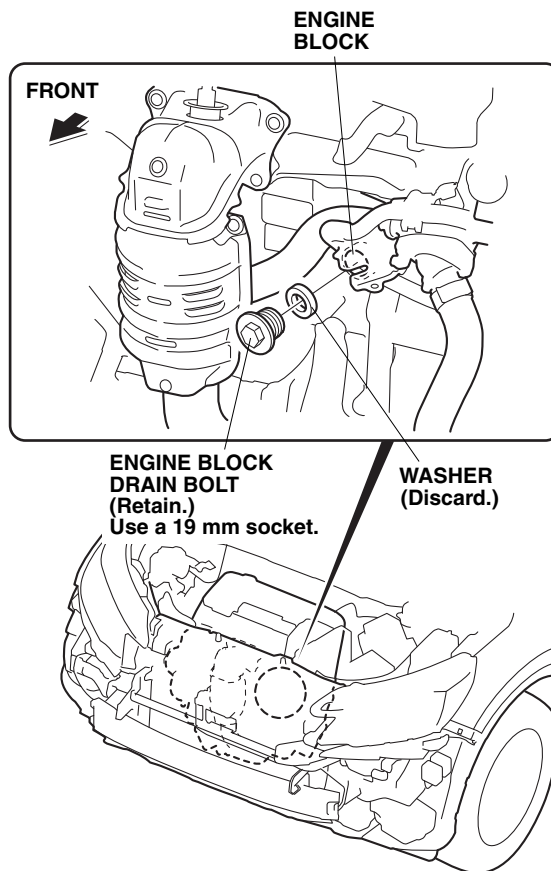
16. Get the heater harness. Using a white marker, mark the heater harness at the measurements (A), (B), and (D).



QD20603AY

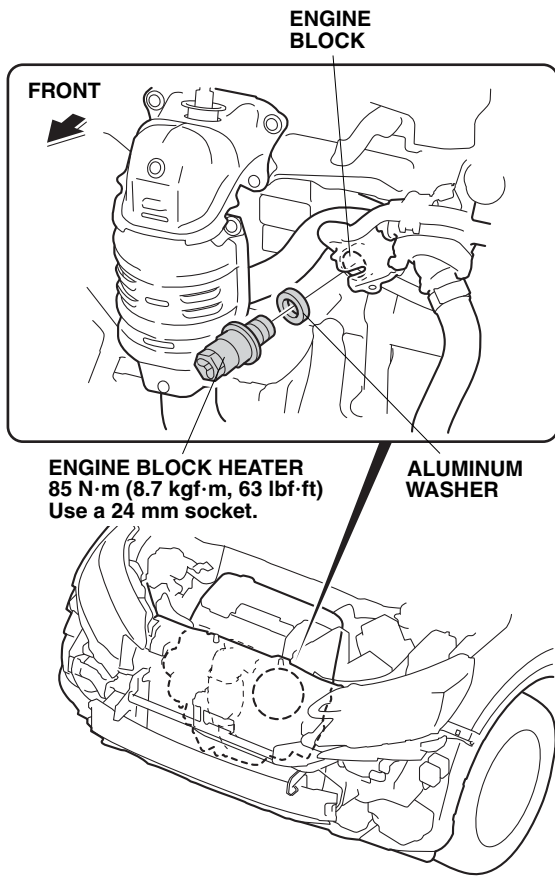
17. Using a tape measure, install a wire tie with clip to the heater harness at the measurement (C).

18. Locate and remove the engine block drain bolt and washer. Coolant remaining in the engine jackets will flow out of the bolt hole when the bolt is removed. (Retain the bolt in case the engine block heater is removed.)



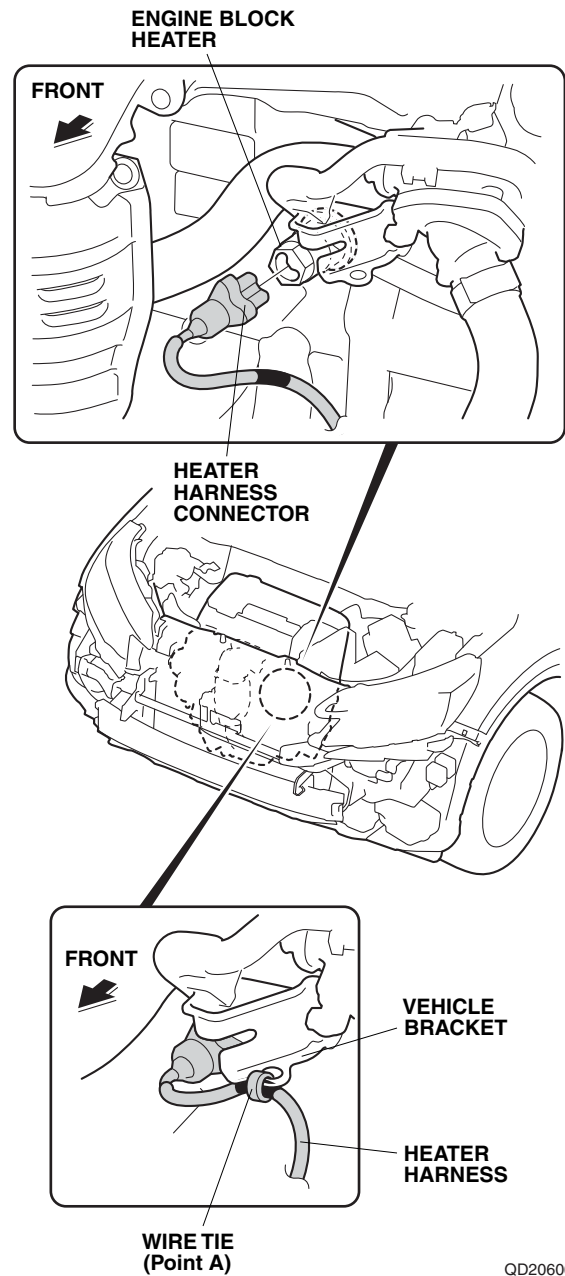
QD20604AY

19. Install the engine block heater and aluminum washer into the engine block using a 24 mm socket and a torque wrench. Torque the engine block heater to 85 N·m (63 lbf·ft).



QD20605AY

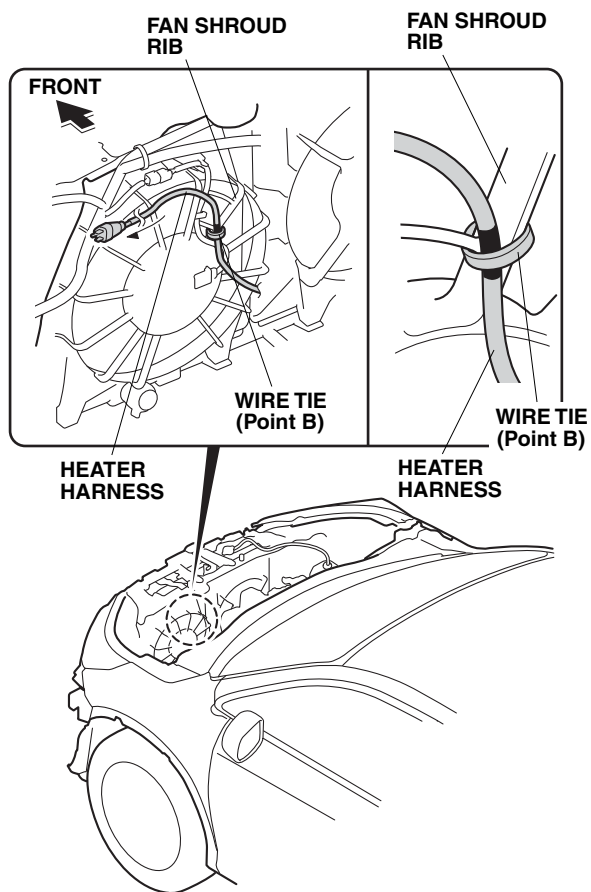
20. Plug the heater harness connector into the engine block heater. Make sure the heater harness connector is fully seated in the engine block heater.



QD20606BY

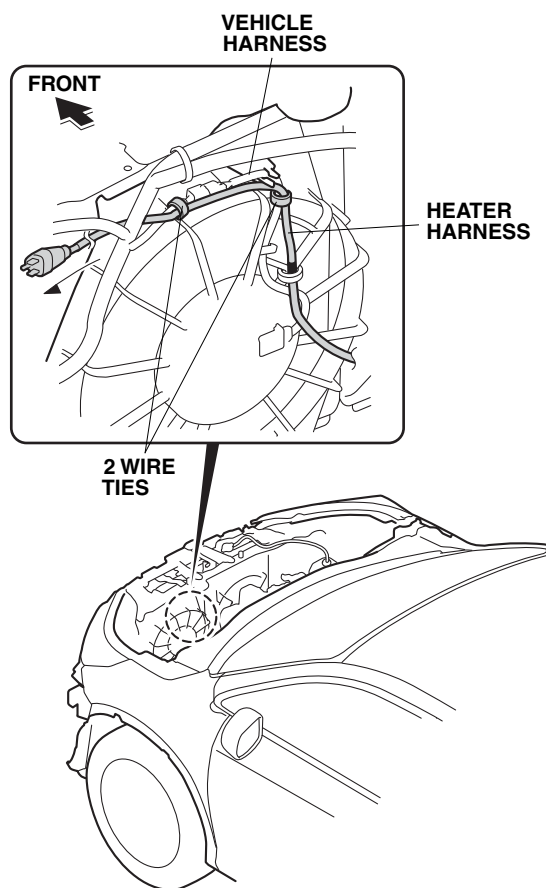
21. Route the heater harness in the direction shown, and secure the heater harness to the vehicle bracket with one wire tie (point A).

22. Route the heater harness as shown, and secure it to the fan shroud rib with one wire tie (point B).



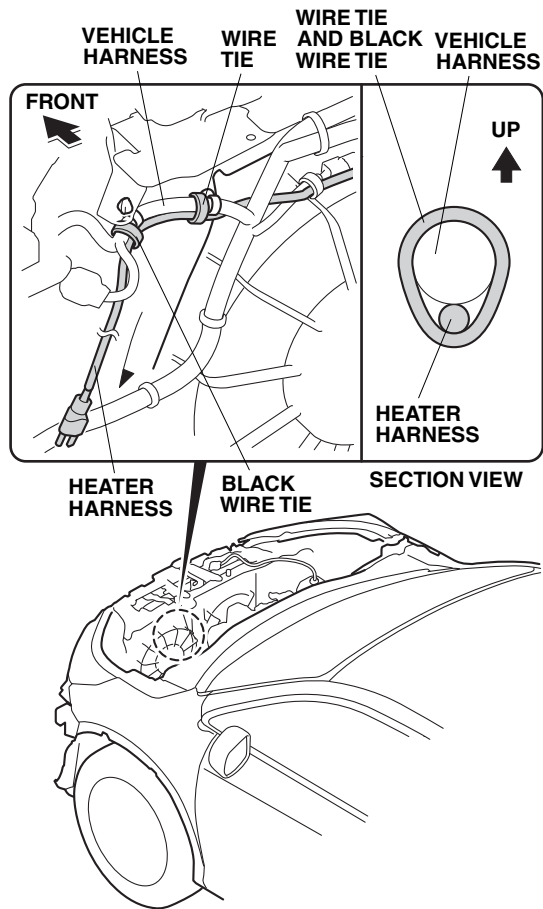
QD20607BY

23. Route the heater harness along the vehicle harness, and secure it to the vehicle harness with two wire ties.



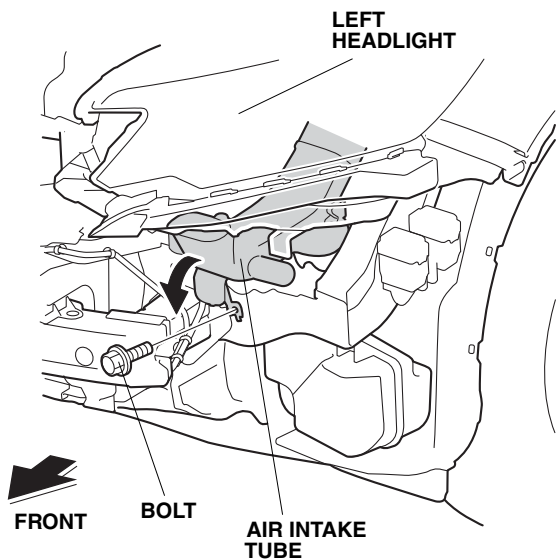
QD20608BY

24. Route the heater harness along the vehicle harness, and secure it to the vehicle harness with one wire tie and one black wire tie.



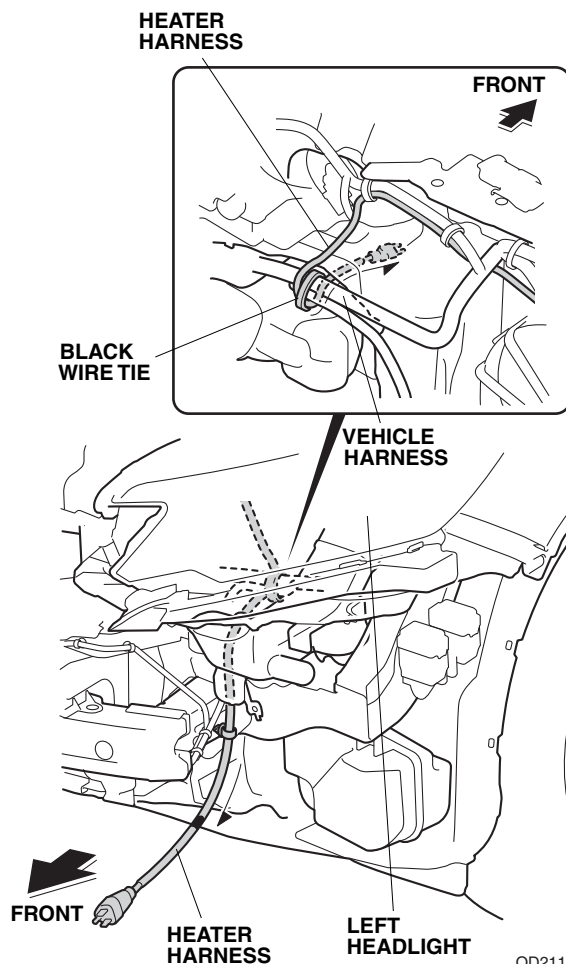
QD21001BY

25. Remove one bolt. Lower the air intake tube.



QD21107AY

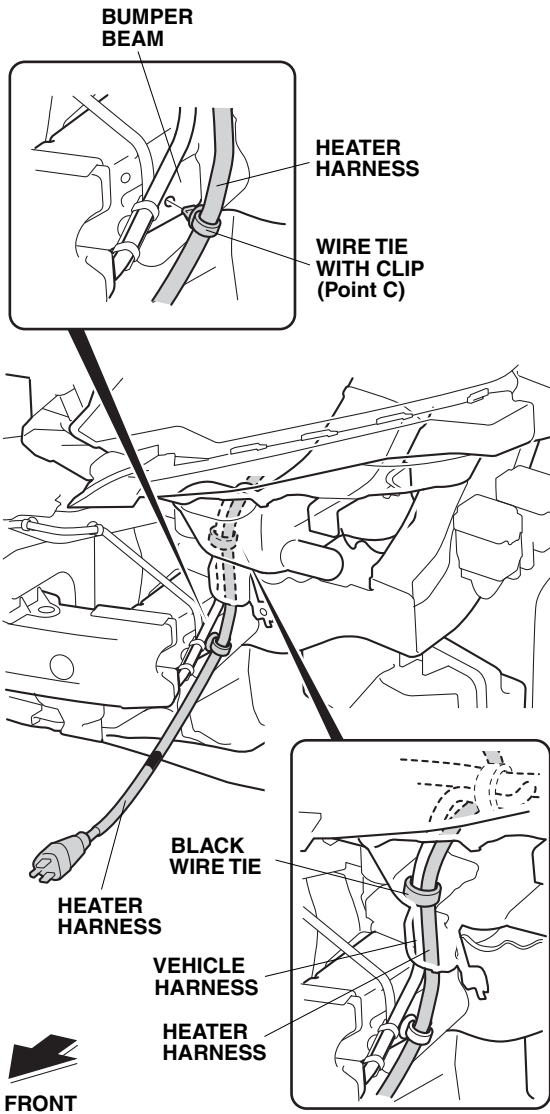
26. Route the heater harness, and secure it to the vehicle harness with one black wire tie as shown.



QD21108AY



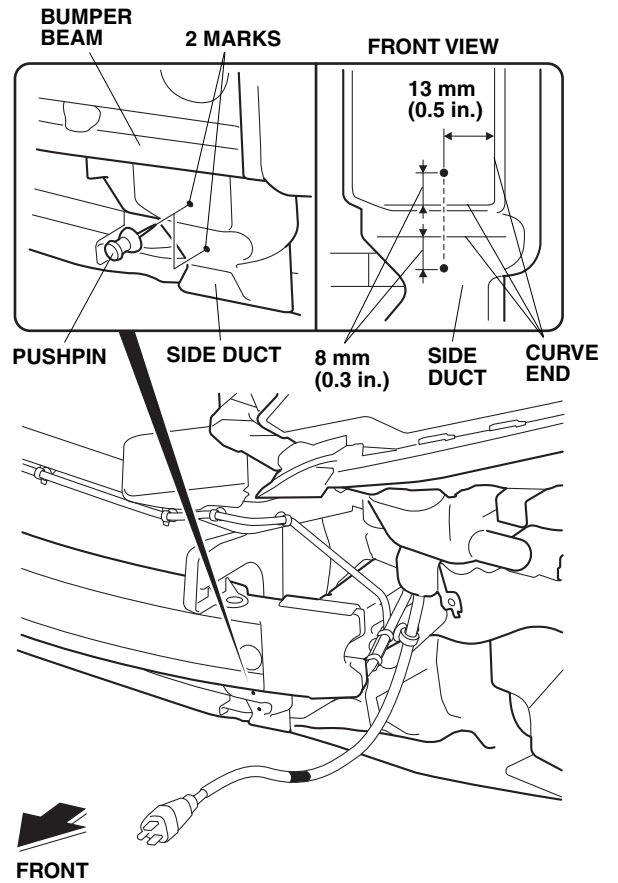
27. Secure the heater harness to the hole in the bumper beam with the wire tie with clip (point C).



QD21109AY

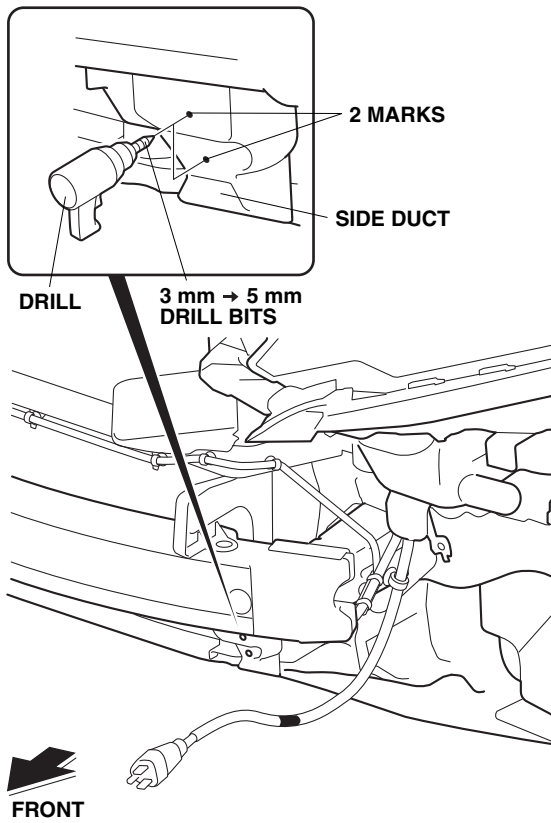
28. Secure the heater harness to the vehicle harness with one black wire tie.

29. Using a pushpin, pierce two marks on the side duct as shown.



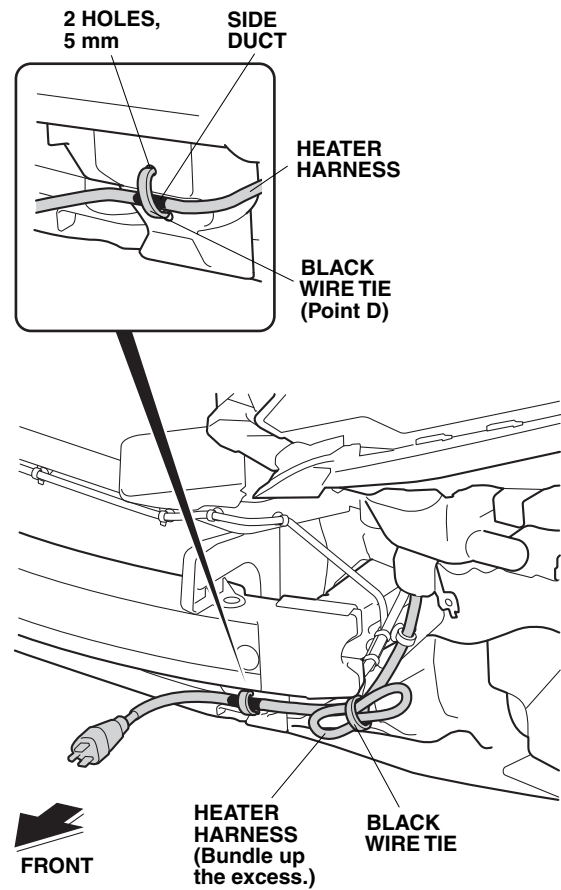
QD21201AY

30. While wearing an eye protection, drill two pierced marks with a 3 mm drill bit and widen the holes with a 5 mm drill bit. Remove any burrs.



QD21202AY

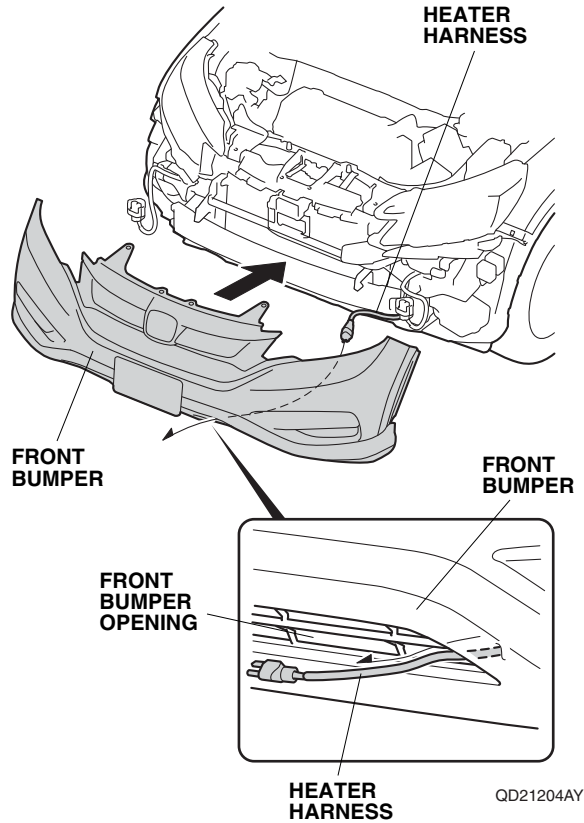
31. Route the heater harness, and secure it to the side duct with one black wire tie (point D) as shown.



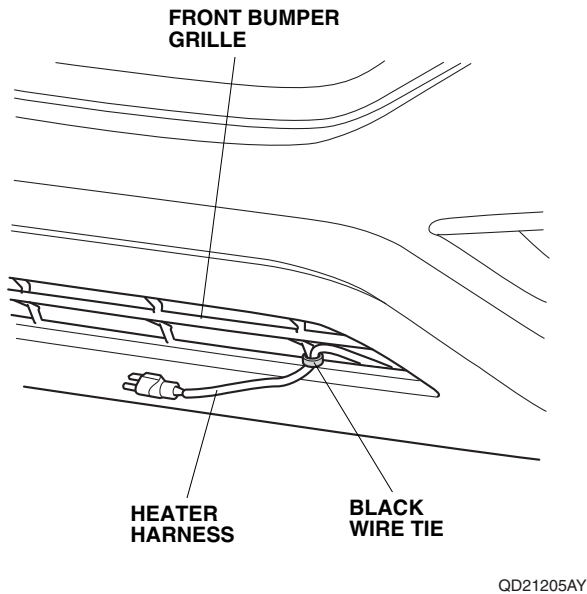
QD21203AY

32. Bundle up the excess heater harness with one black wire tie as shown.

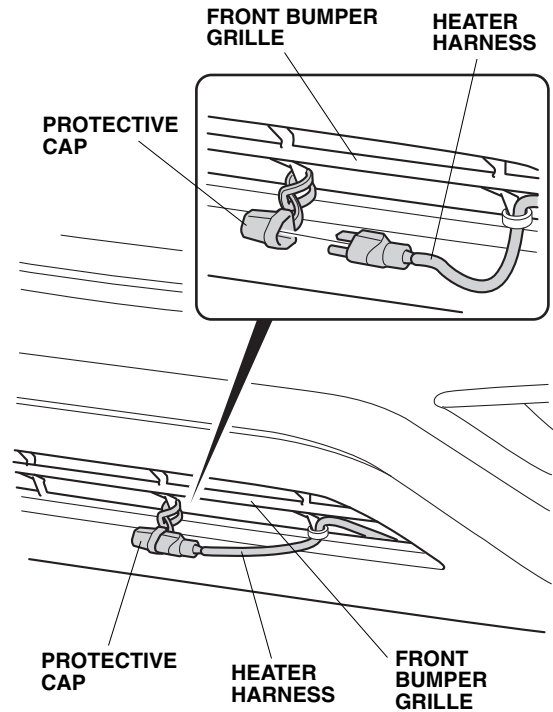
33. With the help of an assistant, route the heater harness through the front bumper opening, and reinstall the front bumper.



34. Secure the heater harness to the front bumper grille with one black wire tie.



35. Install the protective cap to the front bumper grille and plug the heater harness connector into the protective cap.



QD21206AY

36. Reinstall all removed parts.
37. Remove the radiator cap and fill the system with the recommended coolant. Follow the instructions in the Service Manual to fill the cooling system and check for leaks. Particularly check that there is no leak around the engine block heater.
38. Reinstall the radiator cap.
39. Check that the heater harness is routed properly and all connectors are plugged in.
40. Store the engine block drain bolt (removed in step 18) in the glove box.
41. Reconnect the negative cable to the battery.
42. Press and hold the radio power button for two seconds to restore the radio and navi (if equipped) system functions.
43. Reset the clock on vehicle without navigation.